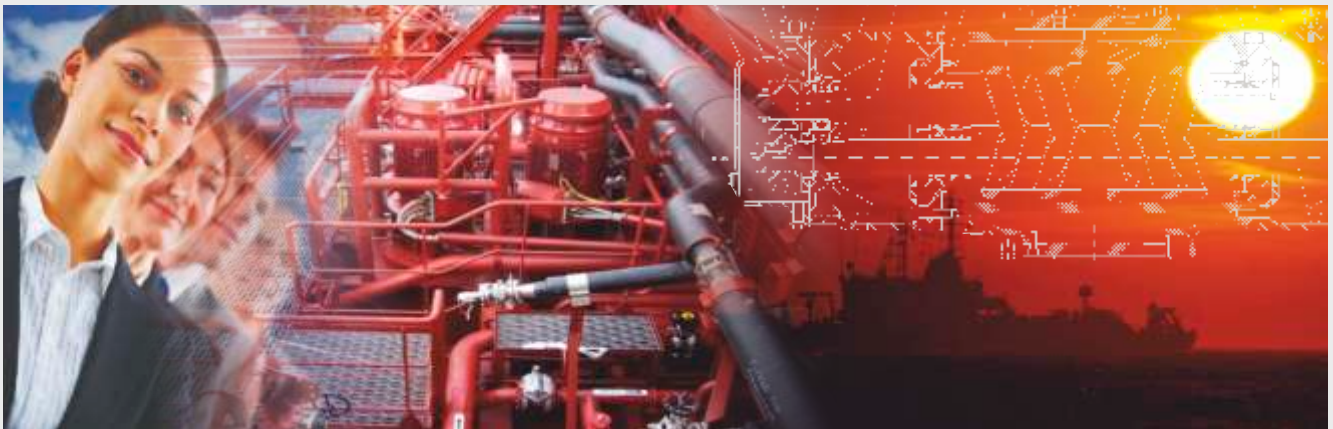


## NETZSCH Multi Screw Pump

Robust & Innovative



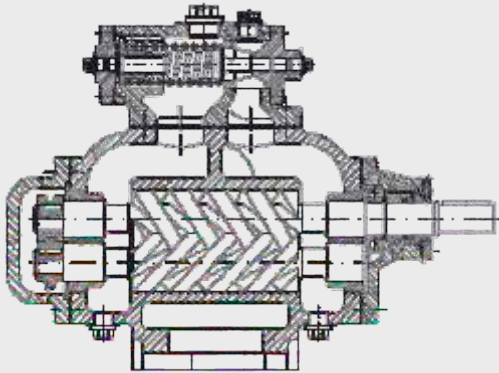
# NETZSCH Multi Screw Pump

Manufactured for more than 30 years



## Working Principle

LN, LNA & LNT Two Screw Pump



### Material

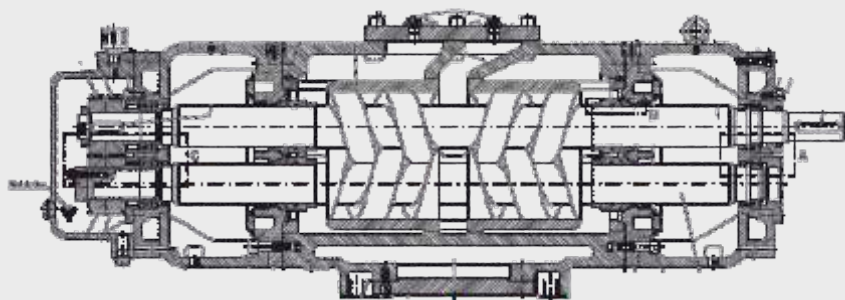
- Housing: cast iron
- Screws: nitrided steel
- Bushings: bronze
- Optional materials upon request

Two Screw Pump

A drive screw touching a driven screw transferring torque from one screw to the other. Surrounded by the pump housing made of ferrous material, the screw geometry and the housing form the pumping chamber. Rotation, screw diameter and screw pitch define the pump's flow rate. Lubrication between the spindle and the housing is effected by the pumped fluid itself. Four special bushings keep the screws aligned.

The axial force resulting from the pumping motion is practically nil due to the pump's hydraulic balancing. This model comply with API 676.

LAE & LAKE Geared Twin Screw Pump



### Material

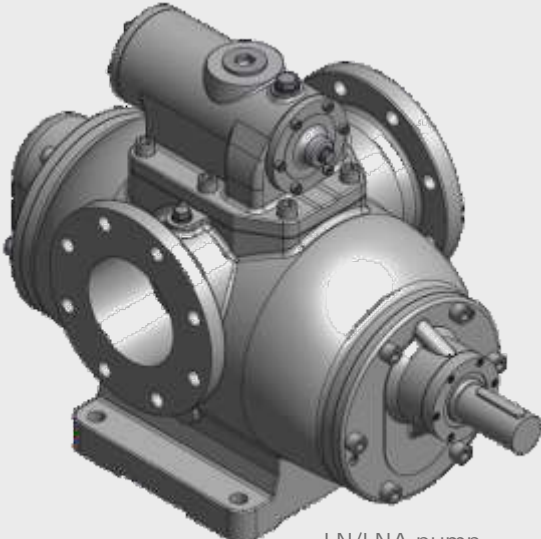
- Housing: cast iron
- Screw: nitrided steel
- Cartridge: cast iron
- Optional materials upon request

Geared Twin Screw Pump

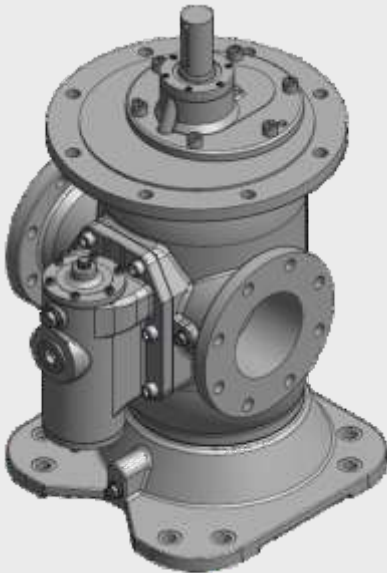
Two shafts with four screws rotate inside a cartridge. The screws do not touch each other, and do not touch the cartridge. Therefore there is no metal-to-metal contact in this pump type. Synchronization of the two shafts is effected by a pair of timing gears remote from the pump chamber. The fluid is pumped from the extremities towards the center. The pumping chamber is formed by the four screws and the cartridge.

This model comply with API 676.

## Product Range



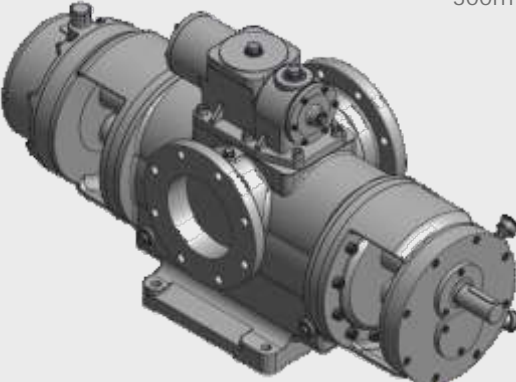
LN/LNA pump,  
up to 300m<sup>3</sup>/h,  
16bar, 320°C



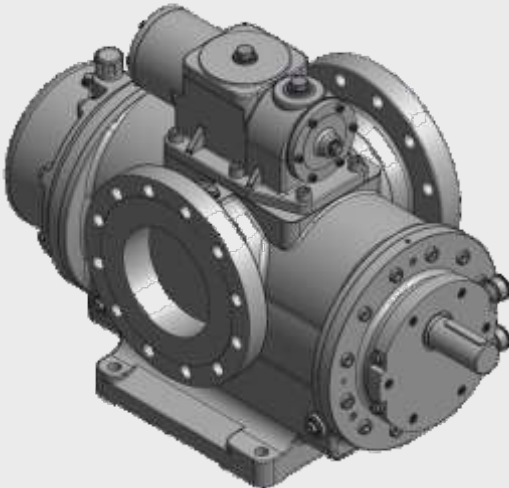
LN/LNA pump  
vertical version , up to  
300m<sup>3</sup>/h, 16bar, 320°C



LNT pump, up to  
300m<sup>3</sup>/h, 16bar,  
320°C



LAE pump, up to  
620m<sup>3</sup>/h, 16bar,  
320°C



LAKE pump, up to  
620m<sup>3</sup>/h, 25bar,  
100°C

# NETZSCH Multi Screw Pump

Compact, Efficient & Pulsation-free



Lubricant oil, 150m<sup>3</sup>/h, 4bar  
Pump installed inside the vessel.



Fuel oil, 60m<sup>3</sup>/h, 8bar



Multi screw pump for marine Industry  
Lubricant oil, 50m<sup>3</sup>/h, 6 bar



Multi screw pump for Refinery  
Asphalt, 120m<sup>3</sup>/h, 10 bar  
Heating system



Pump with suction filter system  
in a power generation plant.



Horizontal pump,  
560m<sup>3</sup>/h max. pressure 16 bar.  
ISO VG68



Vertical pump used in  
the marine industry



## Oil & Gas



### Applications

- Onshore & Offshore crude oil
- Fuel oil
- Diesel
- Asphalt
- Bitumen
- HFO
- Water-oil emulsions
- Dark oil
- Petroleum asphalt cement(PAC)
- Bunker
- Produced water
- Deep well Asphalt cargo pump
- Gasoil

## Marine



### Applications

- Fuel loading and unloading (Cargo Pumps)
- Main engine fuel feed
- Propeller shaft bearings lubrication
- Main engine sealing lubrication
- Gearbox lubrication
- Fuel oil holding pressure
- Power generator pump (diesel)
- Lubrication and pre-lubrication of main MDG
- Fuel oil filter pump for MCA
- Oil to cylinder transfer
- Oil for anchor system
- Cargo pump
- Stripping pump

## Energy



### Applications

- Hydraulic turbine guide bearing lubrication
- Hydraulic turbine combined bearing lubrication
- Wind generator bearing lubrication
- Boiler fuel feeding
- Turbine propeller angle adjustment system
- Bearing lubrication system

## Industrial



### Applications

- Polyol
- Grease
- Emulsions
- Cutting oil
- Molasses
- Resins
- Polymers
- Hydraulic oil
- Vegetable oil

The NETZSCH Group is an owner-managed, internationally operating technology company headquartered in Germany.

The three Business Units – Pumps & Systems, Analyzing & Testing and Grinding & Dispersing – provide tailored solutions for highest-level needs. Over 2,300 employees at 130 sales and production centers in 23 countries across the globe guarantee that expert service is never far from our customers.

The NETZSCH Business Unit Pumps & Systems offers NEMO® progressing cavity pumps, TORNADO® rotary lobe pumps, screw pumps, macerators/grinders, dosing systems and equipment custom built and challenging solutions for different applications on a global base.

NETZSCH do Brasil Ind. e Com. Ltda.  
Hermann Weege Street, 2383  
BR - 89.107 - 000 / Pomerode / SC  
Phone: 55 (47) 3387 8222  
Fax: 55 (47) 3387 8400

E-mail: [info@ndb-netzsch.com.br](mailto:info@ndb-netzsch.com.br)  
[www.netzsch.com.br](http://www.netzsch.com.br)

[www.netzsch.com.br](http://www.netzsch.com.br)